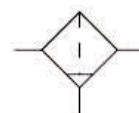


# 39 系列气源处理元件 Series Air Filter Combination

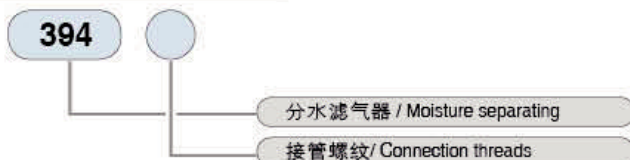
## 394 系列分水滤气器 series Moisture Separator



### 图形符号 Graphical symbols

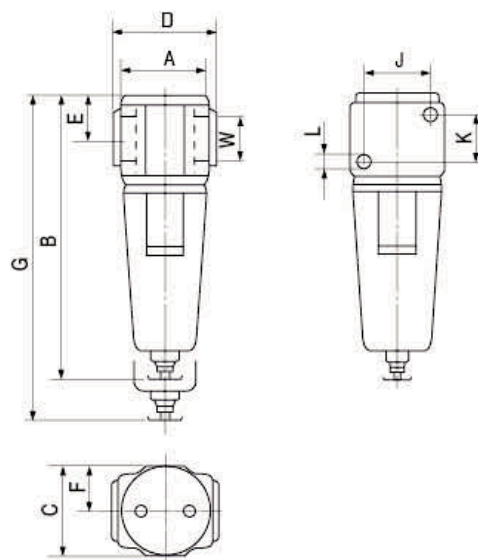


### 型号注释 Note for type



### 外形尺寸 Outlook & Dimension

| 型号<br>type | W    | A  | B   | C  | D  | E  | F  | G   | J  | K  | L   | 重量<br>weight |
|------------|------|----|-----|----|----|----|----|-----|----|----|-----|--------------|
| 394.21     | G1/8 | 40 | 135 | 40 | 48 | 20 | 20 | 160 | 20 | 20 | 4.8 | 0.31         |
| 394.22     | G1/4 | 40 | 135 | 40 | 40 | 20 | 20 | 160 | 20 | 20 | 4.8 | 0.3          |
| 394.35     | G3/8 | 60 | 187 | 60 | 68 | 30 | 30 | 227 | 35 | 35 | 5.7 | 0.96         |
| 394.36     | G1/2 | 60 | 187 | 60 | 60 | 30 | 30 | 227 | 35 | 35 | 5.7 | 0.94         |
| 394.48     | G3/4 | 80 | 240 | 80 | 92 | 40 | 40 | 290 | 48 | 48 | 7   | 1.05         |
| 394.49     | G1   | 80 | 240 | 80 | 90 | 40 | 40 | 290 | 48 | 48 | 7   | 1.00         |



### 技术参数 Specification

|  |  |
|--|--|
| 最大工作压力/Max working Pressure                | 1.0MPa   |
| 工作温度 / Working tempt                       | 5~60℃  |
| 滤芯孔隙直径 / Dia of port in the filter element | 一般供应50~75μm,特殊定货: 24~40μm, 10~20μm, 5~10μm<br>Normally 50~70μm, for special order 24~40μm, 10~20μm, 5~10μm |
| 分水效率 / Moisture separation effectiveness   | ≥80%   |

### 流量 / Flow rate

m³/h (L/min)

| 接管螺纹<br>Connection threads | G1/8~G1/4  | G3/8~G1/2  | G3/4~G1    |
|----------------------------|--|------------|------------|
| 通过径 passage dia (mm)       | 6~8  | 10~15      | 20~25      |
| 输入压力 Pressure input (MPa)  | 当过滤度为50~75μm, 压降ΔP=0.1MPa时流量 / when filtering is 50~70μm, pressure drop ΔP=0.1MPa, flow rate |            |            |
| 0.1                        | 25 (415)   | 90 (1500)  | 160 (2665) |
| 0.25                       | 42 (700)   | 150 (2500) | 300 (5000) |
| 0.4                        | 55 (915)   | 200 (3330) | 380 (6330) |
| 0.6                        | 70 (1165)  | 240 (4000) | 450 (7500) |
| 1.0                        | 90 (1500)  | 300 (5000) | 550 (9165) |

# 过滤器的配管直径小一号时, 最大流量约减少10%; 滤芯微孔直径小一号时, 最大流量约减少7%。

# With pipeline to the filter one size smaller in diameter, the max flow rate reduces by approx 10%. with filter element one size smaller in diameter, max flow rate reduces by 7%.