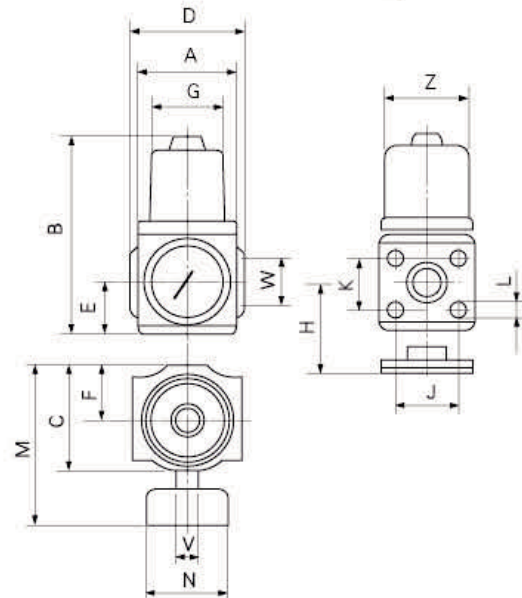
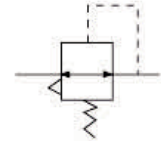


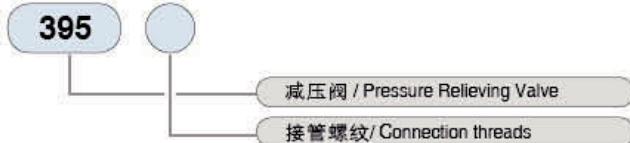
395 系列减压阀
series Pressure Relieving valve



图形符号 Graphical symbols



型号注释 Note for type



外形尺寸 Outlook & Dimension

型号 type	W	A	B	C	D	E	F	G	J	K	L	Z	H	V	N	M	重量 weight (Kg)
395.211-214	G1/8	40	135	40	48	20	20	160	20	20	4.8	M30 × 1.5	25	G1/4	40	70	0.390
395.221-224	G1/4	40	135	40	40	20	20	160	20	20	4.8	M30 × 1.5	25	G1/4	40	70	0.380
395.251-254	G3/8	60	187	60	68	30	30	227	35	35	5.7	M50 × 1.5	20	G1/4	50	95	1.140
395.261-264	G1/2	60	187	60	60	30	30	227	35	35	5.7	M50 × 1.5	20	G1/4	50	95	1.120
395.281-284	G3/4	80	240	80	92	40	40	290	48	48	7	M67 × 1.5	30	G1/4	63	120	1.850
395.291-294	G1	80	240	80	90	40	40	290	48	48	7	M67 × 1.5	30	G1/4	63	120	1.80

技术参数 Specification

最大工作压力/Max working Pressure	1.0MPa
工作温度 / Working tempt	5~60℃
压力调节范围 / Adjustable range or pressure	0.05~1 MPa

流量 / Flow rate

m³/h (L/min)

接管螺纹 Connection threads	G1/8 ~ G1/4	G3/8 ~ G1/2	G3/4 ~ G1
通径 passage dia (mm)	6~8	10~15	20~25
输入压力 P1 Pressure input P1 (MPa)	输出压力 P2 Pressure output P2 (MPa)	当压降 ΔP=0.1MPa时流量 / when pressure drop ΔP=0.1MPa, flow rate	
1.0	0.1	20 (330)	110 (1830)
1.0	0.25	30 (500)	150 (2500)
1.0	0.4	35 (580)	185 (3080)
1.0	0.6	40 (665)	220 (3665)

减压阀的配接管直径小一号时，流量约减少10%。
With the connection to the valve one size smaller in diameter, flow rate reduces by approx 10%.