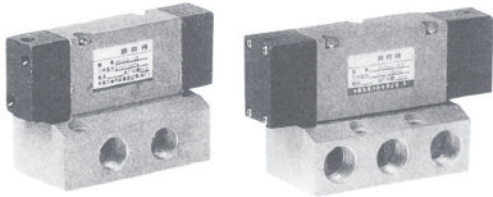


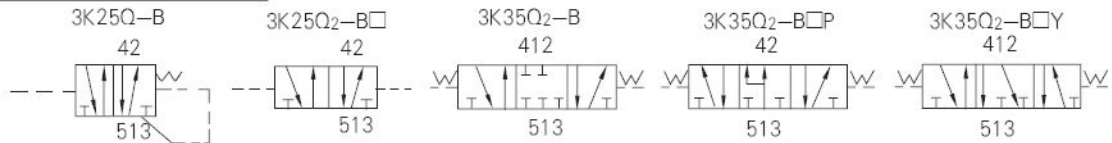
3KQ-B 板接式气控换向阀 Series Plate Fitting Pneumatic Controlled Valves



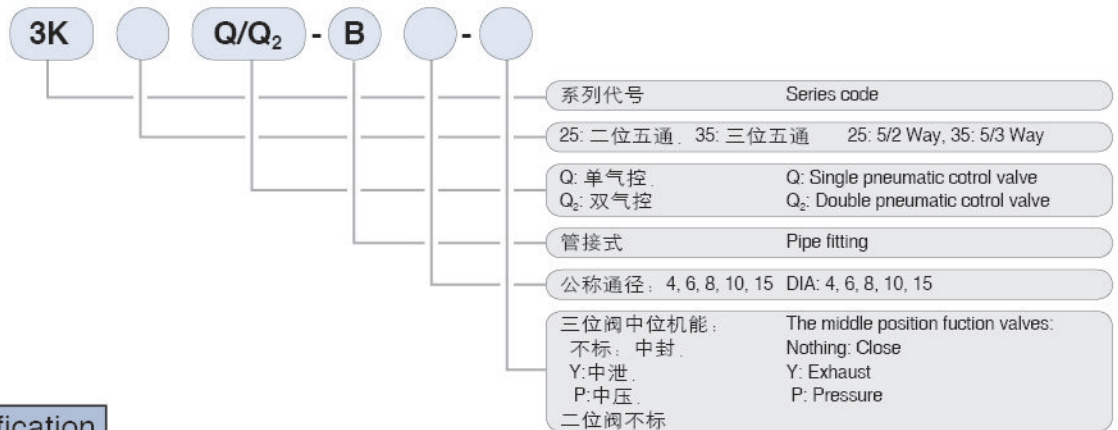
全系列共分四种规格，口径分别Ø4, Ø6, Ø8, Ø10，适应配套气缸缸径如下：
Four type in this series. There are Ø4, Ø6, Ø8, Ø10, capable of driving cylinders as follow:

口径 Dia(mm)	气缸缸径 Dia Of Cylinder's Body(mm)
Ø4	Ø20 Ø25 Ø32 Ø40
Ø6	Ø40 Ø50 Ø63 Ø80
Ø8	Ø63 Ø80 Ø100
Ø10/Ø15	Ø125 Ø140 Ø160

图形符号 Graphical symbols



型号注释 Note for type



技术参数 Specification

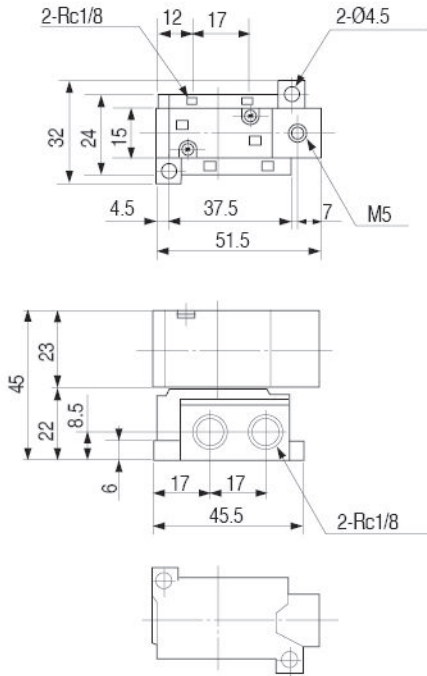
品种 Item	项目 Term 型号 Type	配管口径 Pipe Size			先导控制口 Pilot	有效截面积 Effective Section Area (mm ²)	工作压力 Working Pressure (MPa)	先导阀输入信号 Singal in (MPa)
		进气口 Air inlet "1"	"2", "4" 口	排气口 Air outlet "3", "5"				
单气控 Pneumatic Control (single)	3K25Q-B4	Rc1/8	Rc1/8	Rc1/8	M5	>4	0.15~1	0.06X最大压力 Max Pressure +0.06
	3K25Q-B6(8)	Rc1/8(Rc1/4)	Rc1/8(Rc1/4)	Rc1/8(Rc1/4)		12.5		
	3K25Q-B10	Rc3/8	Rc3/8	Rc3/8		25		
	3K25Q-B15	Rc1/2	Rc1/2	Rc1/2		>48		
双气控 Pneumatic Control (Double)	3K25Q ₂ -B4	Rc1/8	Rc1/8	Rc1/8	M5	>4	0~1	0.2~1
	3K25Q ₂ -B6(8)	Rc1/8(Rc1/4)	Rc1/8(Rc1/4)	Rc1/8(Rc1/4)		12.5		
	3K25Q ₂ -B10	Rc3/8	Rc3/8	Rc3/8		25		
	3K25Q ₂ -B15	Rc1/2	Rc1/2	Rc1/2		>48		
三位阀中封式 3-position middle closed	3K35Q ₂ -B4	Rc1/8	Rc1/8	Rc1/8	M5	>2.5	0~1	0.2~1
	3K35Q ₂ -B6(8)	Rc1/8(Rc1/4)	Rc1/8(Rc1/4)	Rc1/8(Rc1/4)		11		
	3K35Q ₂ -B10	Rc3/8	Rc3/8	Rc3/8		22		
	3K35Q ₂ -B15	Rc1/2	Rc1/2	Rc1/2		>40		
三位阀中压式 3-position middle pressure	3K35Q ₂ -B4P	Rc1/8	Rc1/8	Rc1/8	M5	>2.5	0~1	0.2~1
	3K35Q ₂ -B6(8)P	Rc1/8(Rc1/4)	Rc1/8(Rc1/4)	Rc1/8(Rc1/4)		11		
	3K35Q ₂ -B10P	Rc3/8	Rc3/8	Rc3/8		22		
	3K35Q ₂ -B15P	Rc1/2	Rc1/2	Rc1/2		>40		
三位阀中封式 3-position middle exhaust	3K35Q ₂ -B4Y	Rc1/8	Rc1/8	Rc1/8	M5	>2.5	0~1	0.2~1
	3K35Q ₂ -B6(8)Y	Rc1/8(Rc1/4)	Rc1/8(Rc1/4)	Rc1/8(Rc1/4)		11		
	3K35Q ₂ -B10Y	Rc3/8	Rc3/8	Rc3/8		22		
	3K35Q ₂ -B15Y	Rc1/2	Rc1/2	Rc1/2		>40		

3K
3KQ-B

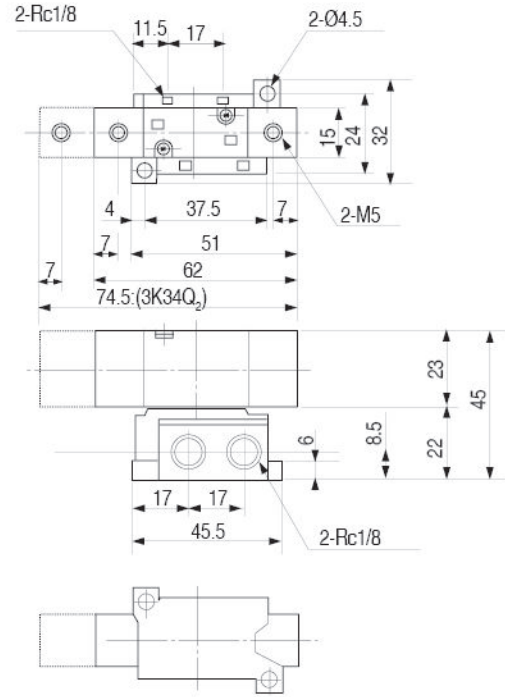
系列 不供油滑柱式电气换向阀
Series Oil Free Pneumatic / Electrical Directional Spool Valve

外形尺寸 Outlook & Dimension

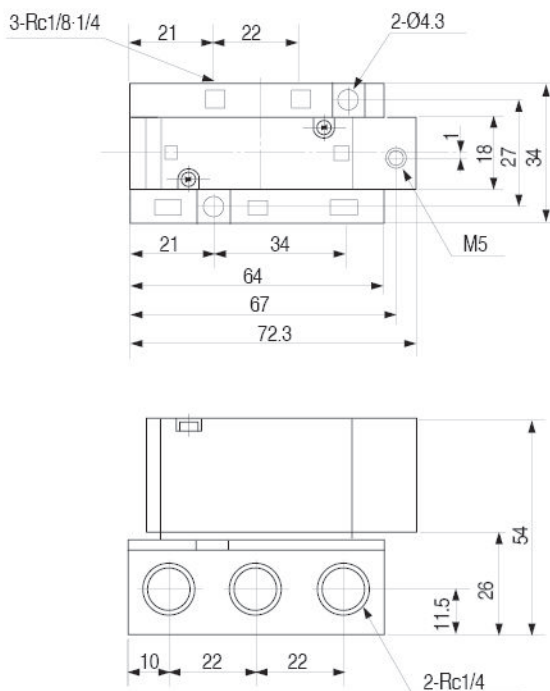
3K25Q-B4



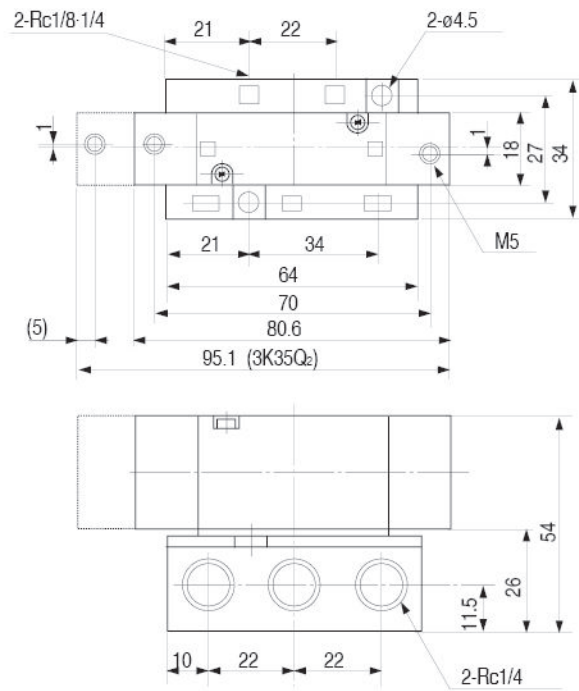
3K25Q₂-B4, 3K34Q₂-B4(P)(Y)



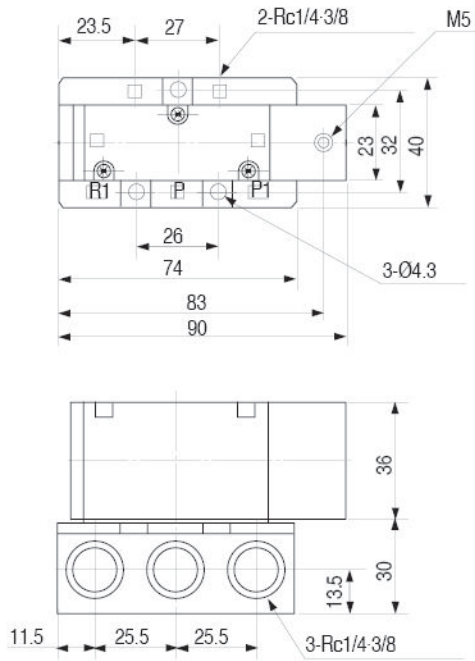
3K25Q-B6(8)



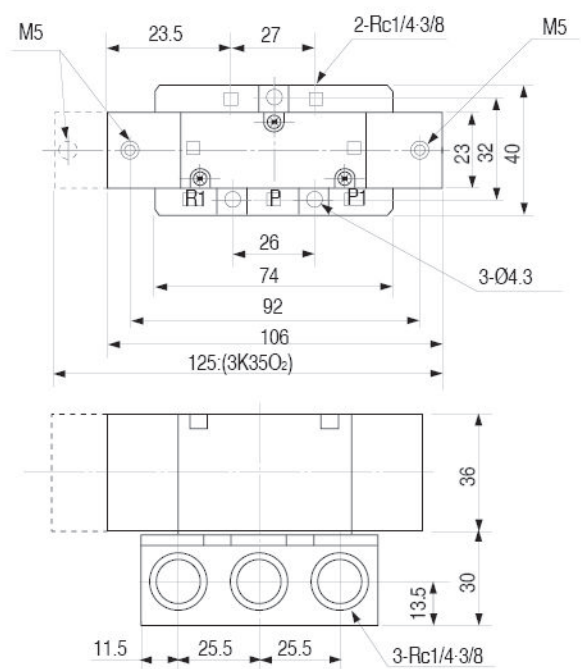
3K25Q₂-B6, 3K35Q₂-B6(P)(Y)



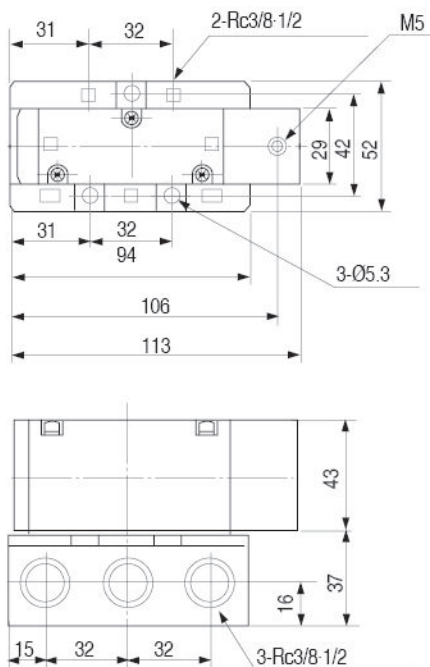
3K25Q-B10



3K25Q₂-B10, 3K35Q₂-B10(P)(Y)



3K25Q-B15



3K25Q₂-B15, 3K35Q₂-B15(P)(Y)

