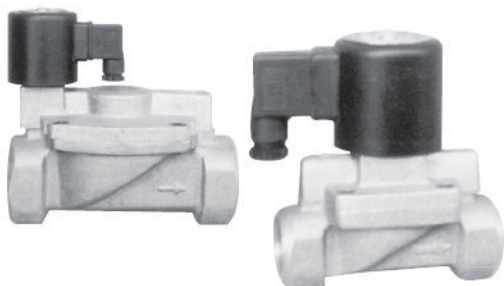


DF 系列电磁阀

series solenoid valves

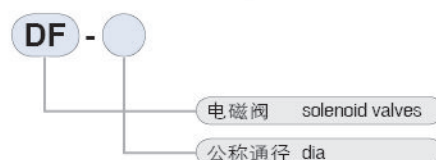
DF 系列膜片先导式电磁阀

series solenoid valves



图形符号 Graphical symbols

型号注释 Note for type



产品特点 Features

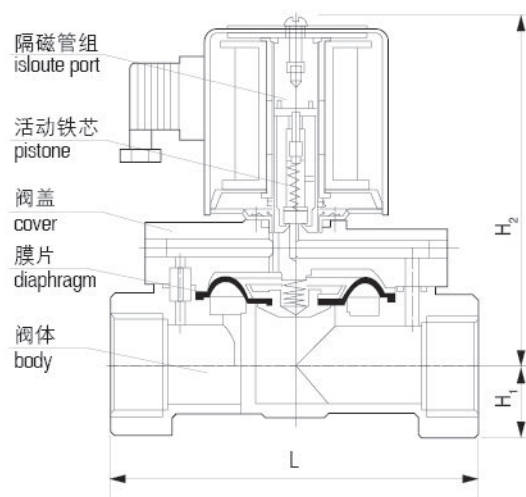
DF系列电磁阀是电控管路通、断的二位二通电磁阀。采用电磁先导结构的优质的橡胶膜片，具有弹性好、开启轻便的特点。主要用于自动调节及远程控制各种管道中气、液体的流通。被广泛应用于冶金、化工、电力、纺织、医药、供水等行业。

本产品限制使用温度为不高于80℃。

DF series are 2 position 2 way constantly close solenoid valves, they feature compactness, big flow rate, and good sealing. As they can accommodate multi kinds of media like oil, water and gas they are widely used in chemical engineering, textile and mining industries.

Operation temperature less than 80℃.

外形尺寸 Outlook & Dimension



外形尺寸 Outlook & Dimension

型号Type	DF-15	DF-20	DF-25	DF-32	DF-40	DF-50	DF-65F	DF-80F	DF-100F
口径 dia	15	20	25	32	40	50	65	80	100
L	90	102	120	132	148	188	290	310	350
H1	13	18	22	27	31	39	92	100	100
H2	95	100	118	113	130	140	182	206	233
连接方式 connect way	G1/2	G3/4	G1	G1¼	G1½	G2	法兰 Dg65x1.0	法兰 Dg80x1.0	法兰 Dg100x1.0

技术参数 Specification

型号Type	DF-15	DF-20	DF-25	DF-32	DF-40	DF-50	DF-65F	DF-80F	DF-100F
性能Item									
工作介质 Medium	空气、油、水 Air, oil, water								
工作压力 Working pressure(MPa)	0.04-0.8								
流量系数 KV value	2.8	5	8.5	12	18	28	45	70	110
介质温度 Tempt medium(℃)	≤80								
额定电压 Voltage(V)	AC380,220,36,24; DC:220,110,24								