

FDF 系列电磁阀

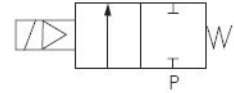
series solenoid valves

FDF 系列二位二通电磁阀

series 2/2-way solenoid valves



图形符号 Graphical symbols

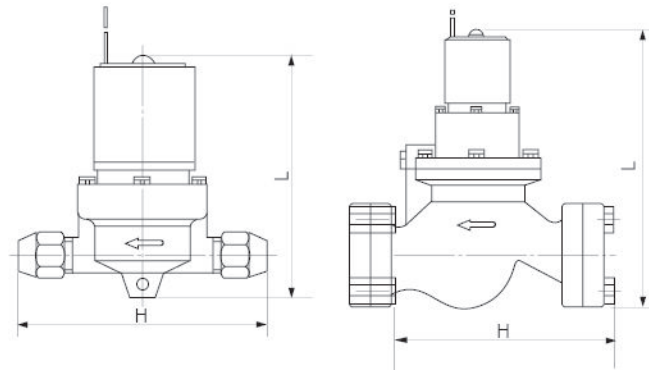
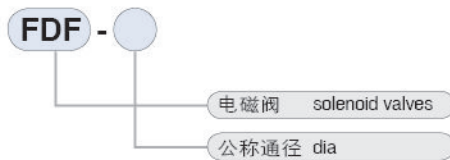


产品特点 Features

FDF系列为二位二通常闭式电磁阀。该阀具有体积小、流量大、密封性好等特点。由于它能通过油、水、气等多种工作介质，所以被广泛应用于化工、纺工、矿山等行业中。

FDF series are 2/2-ways normal close solenoid valves. They feature compactness, big flow rate, and good sealing, they can accommodate multi kinds of medium like oil, water and gas, so they are widely used in chemical engineering, textile and mining industries.

型号注释 Note for type



外形尺寸 Outlook & Dimension

型号 Type	FDF-3	FDF-6	FDF-8	FDF-10	FDF-13	FDF-16	FDF-19	FDF-25	FDF-32
规格 Item									
L	77	107	107	133	133	128	128	189	189
H	83	110	110	150	150	158	158	182	182
接管螺纹 port size	M12x1.25	M14x1.5	M16x1.5	M18x1.5	M22x1.5	M27x2	M30x2	方形法兰 Flange in square 50x50	
口径 dia	3	6	8	10	13	16	19	25	32

技术参数 Specification

型号 Type	FDF-3	FDF-6	FDF-8	FDF-10	FDF-13	FDF-16	FDF-19	FDF-25	FDF-32
性能 Item									
工作介质 Medium	空气、油、水、 Air, oil, water								
工作压力 Working pressure(MPa)	0.2~1								
额定流量 Flow(m³/h)	0.7	2.5	5	7	8.5	10	20	30	40
切换频率 Switch-over frequency(Hz)	6	4	4	3	3	3	3	2	1
工作寿命 Working life(万次)	≥ 50								
额定电压 Voltage(V)	AC380,220,110,36; DC:220,110,24								