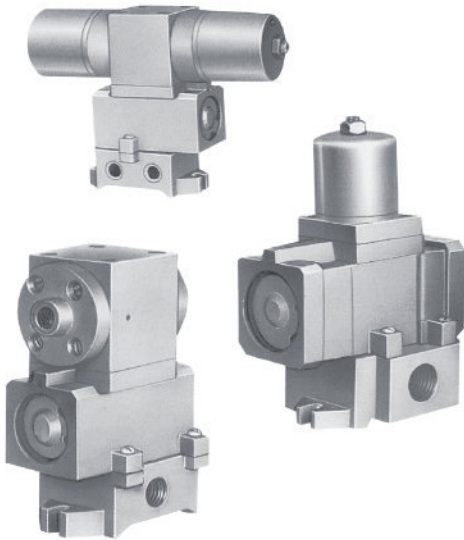


KJ 系列截止式换向阀

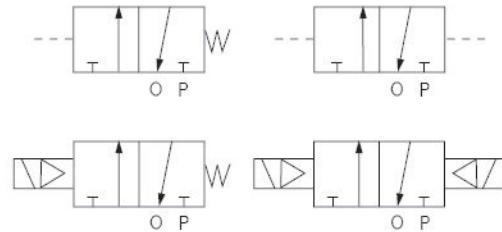
series directional valves

K23J 系列二位三通换向阀

series 3/2-ways directional valves



图形符号 Graphical symbols



产品特点 Features

K23J系列二位三通截止式换向阀是一机部换向阀联合设计。具有结构合理动作可靠特点。

K23J series 3/2-ways shut directional valve is a product jointly designed by First Ministry of Machinery have streamlined structure and reliable actions.

型号注释 Note for type

K **23** **J** **D₂** - **P**

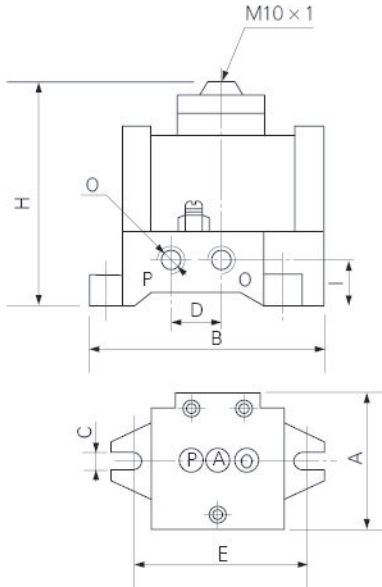
空气介质	Air medium
二位三通	3/2 -way
截止式	Check type
D: 单电控、D ₂ 双电控 K: 单气控、K ₂ 双气控	D: electrical control (single) D ₂ : electrical control (double) K: pneumatic control (single), K ₂ : pneumatic control (double)
公称通径	Dia
常通型: T 常闭型: 无记号	T: normal open Blank: normal closed
手动柄	Handle

技术参数 Specification

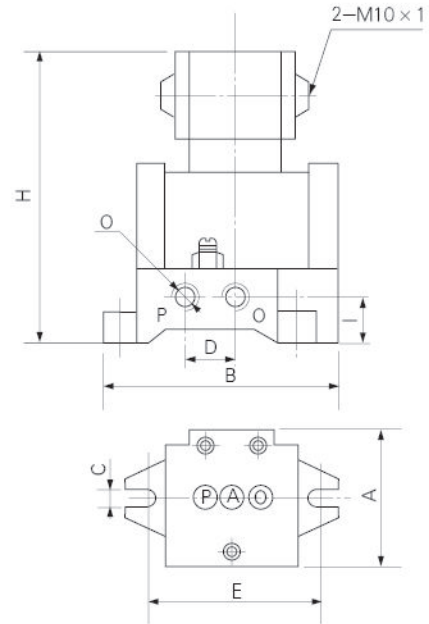
公称通径Dia	Ø6	Ø8	Ø10	Ø15	Ø20	Ø25
介质温度和环境温度Temp ambient/medium(°C)	-5~50					
工作压力范围Working pressure range(MPa)	0.2~0.8					
泄漏量Leakage rate(mL/min)	50		100		200	
换向时间Direction diverting time(sec)	≤0.04		≤0.06		≤0.10	
最高切换频率Max swith-over frequency(Hz)	≥10		≥8		≥4	
有效截面积S值Effective sectional area S valve(mm ²)	10	20	35	60	120	190
额定流量Flow(m ³ /h)	2.5	5	7	10	20	30
工作电压Voltage(v)	AC380,220,110,36V DC:220,110,24					

外形尺寸 Outlook & Dimension

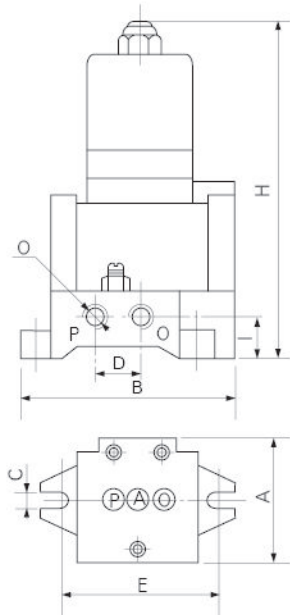
K23JK



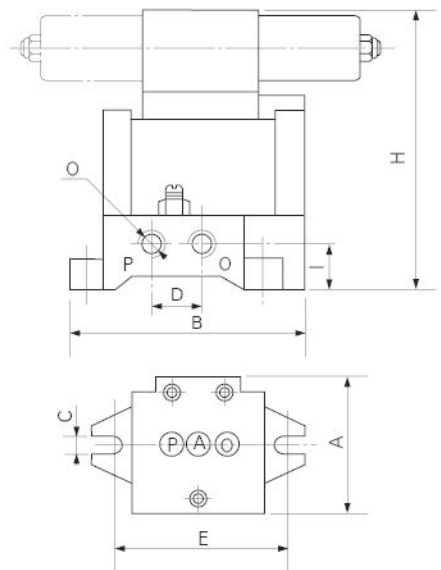
K23JK₂



K23JD



K23JD₂



型号Type	H	A	B	C	D	E	I	O
K23JD-6(8)(T), K23JD ₂ -6(8)(T)	<141	58	88	7	28	68	14	M10X1
K23JK-6(8)(T), K23JK ₂ -6(8)(T)								M12x1.25
K23JD-10(15)(T), K23JD ₂ -10(15)(T)	<155	64	123	7	38	86	20	M16x1.5
K23JK-10(15)(T), K23JK ₂ -10(15)(T)								M20x1.5
K23JD-20(25)(T), K23JD ₂ -20(25)(T)	<207	95	175	13	60	130	30	M27x2
K23JK-20(25)(T), K23JK ₂ -20(25)(T)								M33x2