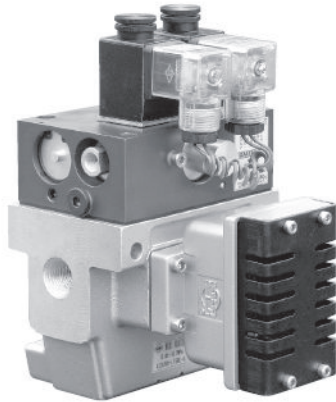


K23JSD

系列压力机双联安全阀

Series double relief valves for press machine

K23JSD-L15L-G/R 系列双联安全阀
Series double relief Valves



产品特点 Features

本产品为双联交叉流动型安全控制阀。通过两组并联结构的阀芯，保证在相等的先导控制压力作用下，两组阀芯同步动作。当控制失灵或自身发生故障，造成一组阀芯开启，另一组阀芯处在关闭的状态时，在监控气信号压差作用下，监控器发出故障信号，安全阀关闭并被锁定，不能再启动。故障排除后，启动摇控气动或手动复位，使监控器复位，安全阀可以恢复正常工作。产品近似外观见附图一。

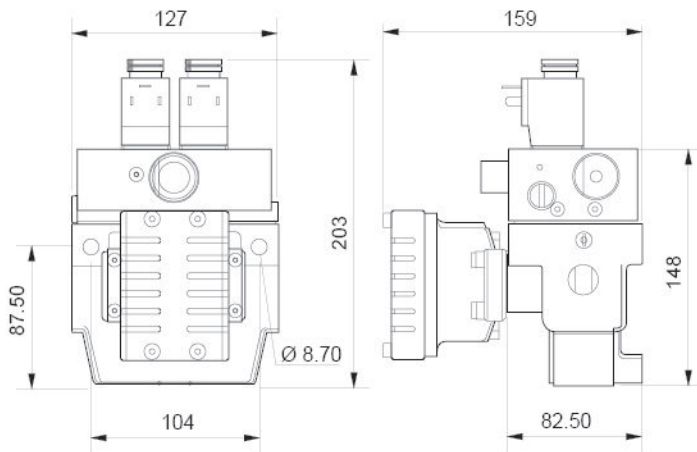
K23JSD-L15L-G/R is a crossflow double relief valve. It has two valve elements which parallel connection. When the pilot valves are simultaneously energized, the two main elements are operated simultaneously. When control fail or go wrong, one of the valve elements open and another one closed, the pressure difference will make the monitor lock the valve. Only after repair, the valve can be start by pneumatic telecontrol or manual control.

型号注释 Note for type

K 23 J S D - L L G/R

- 空气介质 air
- 二位三通 3/2 way
- 截止式 shut-off type
- 双联阀 double valves
- 电控 electrical control
- 管接式 pipe connecting
- 公称通径 dia
- 气动复位 pneumatic rest
- 系列编制 code No.

外形尺寸 Outlook & Dimension



型号 Type	K23JSD-L15L-G/R	
参数 Item		
公称通径 Dia(mm)	15	
接管螺纹 Port size	IN	G1/2
	OUT	G1/2
工作压力范围 Range of working pressure (MPa)	0.45-0.7	
介质温度 Medium temperature (°C)	4-80	
环境温度 Ambient temperature (°C)	4-50	
换向时间 Direction changeing (sec)	≤0.07	
监控复位 Monitor Reset	摇控复位(可选) telecontrol reset 手动复位(可选) manual reset	