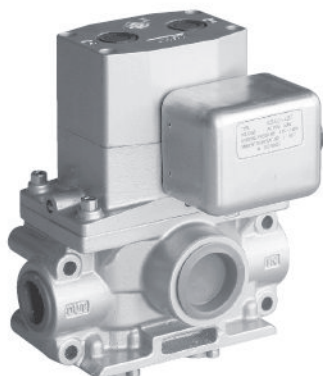


# K23JSD

系列 压力机双联安全阀  
Series Double relief valves for press machine

K23JSD-L25/T

## K23JSD-L25/T 系列双联安全阀 Series double relief Valves

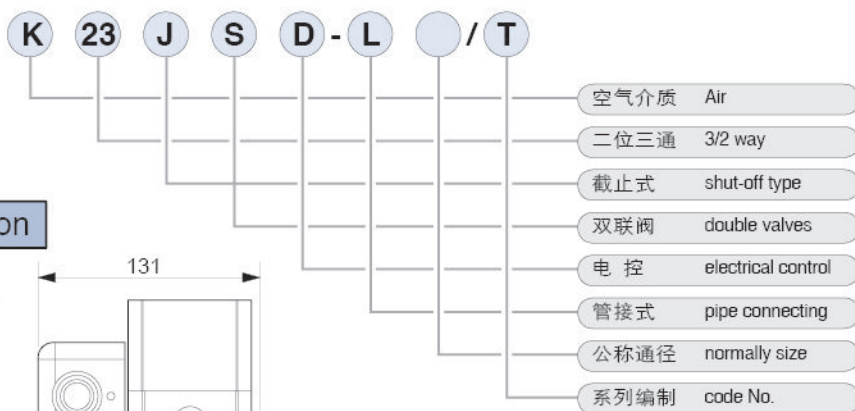


### 产品特点 Features

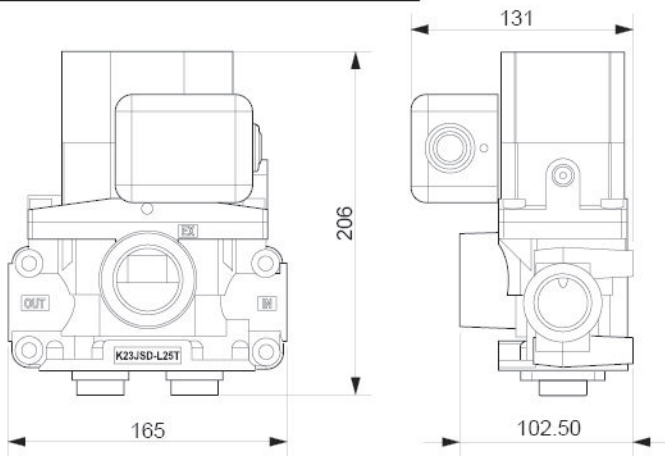
本产品为双联平行流动型（双联交叉流动型另选）安全控制阀。当一个阀发生故障时，由于排气气路的截面积大于供气气路的截面积，OUT侧的压力比离合器或制动器的动作压力要低，因此冲压机不动作。比单用一个电磁阀配置于冲压机械的安全系数高。

K23JSD-L25/T is the parallel flow double relief valve (crossflow double relief valve for select). When one of the valve go wrong, as the "OUT" side's air pressure is higher than clutch's and breaker's, the press machine will stop running. It makes the press machine more safe than those that only have one single solenoid valve.

### 型号注释 Note for type



### 外形尺寸 Outlook & Dimension



### 技术参数 Specification

型号 type		K23JSD-L15/T	
参数 parameters		K23JSD-L15/T	
公称口径 normally size (mm)		25	
接管螺纹 port size	IN	M33 x 2	G1"
	OUT	M33 x 2	G1"
	EX	M42 x 2	G1 1/4"
工作压力范围 Range of working pressure (MPa)		0.3-0.8	
介质温度 Medium temperature (°C)		0-50	
环境温度 Ambient temperature (°C)		-5-50	
换向时间 Direction changing Time (sec)		≤0.07	
有效截面积 Effective sectional area Cv(mm²)	IN	74(4.0)	
	OUT IN	395(21.4)	