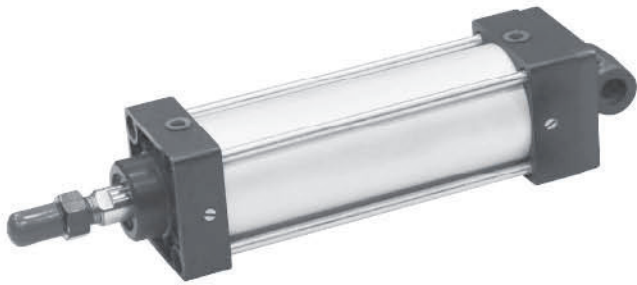


NMB-QGS 系列内摆门气缸 series In-swing door cylinders



图形符号 Graphical symbols



产品特点 Features

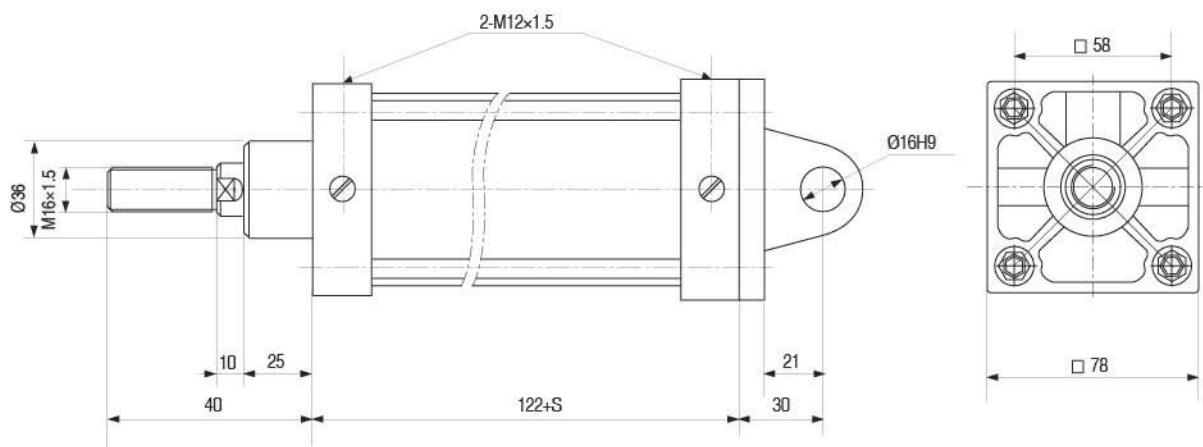
NMB-QGS63×100内摆式门气缸属汽车行业的专用气缸。满足公交中巴车上开关门的需要。具有结构紧凑、体积小、重量轻、工作可靠、运动平稳、外形美观等特点。是客车制造业中实现自动化开关门的理想气动元件。

NMB-QGS63×100 in-swing door cylinders are exclusive for auto industry. It meet the request for door opening / closing of medium size bues. Such cylinders feature a compact structure, small dimensions, light weight, reliable performance, stable movement and elegant outer look, and are ideal pneumatic elements for automated door opean / closing in coach manufacturing.

型号注释 Note for type



外形尺寸 Outlook & Dimension



技术参数 Specification

项目 Item	参数 Specification	
缸径 Dia	63	
工作介质 / Working medium:	干燥洁净含油雾的压缩空气 Dry and clean compressed air containing oil mist	
工作压力 / Working pressure range:	0.1~0.63MPa	
耐压	1.5MPa	
活塞运动速度 / Piston speed	50~500mm/s	
理论出力(压力为0.63Mpa时)	推力 Pushing force	1.24 KN
Theoretical force out put (when pressure is 0.63Mpa)	拉力 Pulling force	1.05 KN