

QGJ 系列夹紧气缸

Series Clamping cylinder

产品特点 Features

QGJ系列夹紧气缸是根据工夹具自动化夹紧需要而设计的。具有结构紧凑、体积小、安装维修方便、工作可靠、运动平稳等特点。广泛适用于各种工装夹具的气动夹紧机构上。是汽车制造等行业自动化生产线上的理想气动元件。

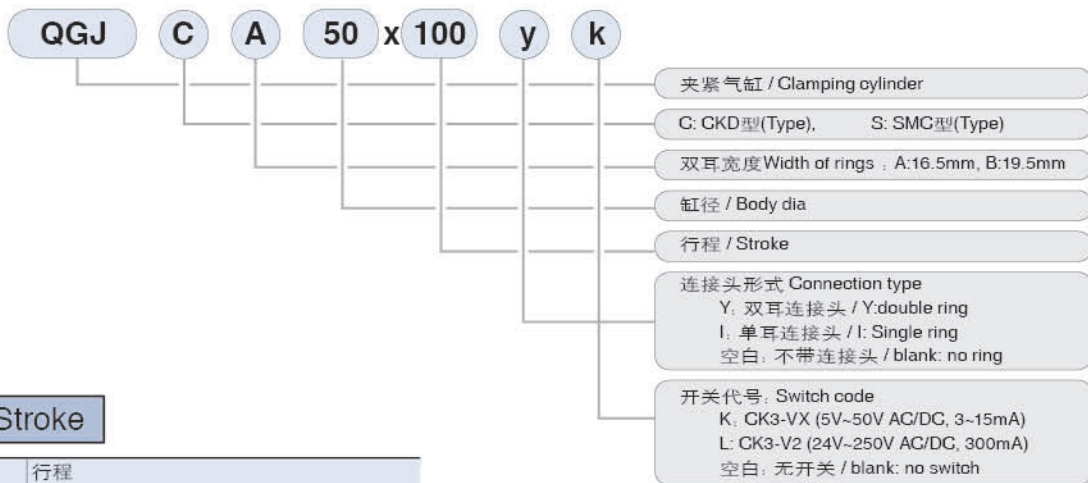
QGJ series clamping cylinders are designed for the purpose of automatic clamping required by jigs and fixtures. The product features compact structure, small volume, easy of installation and maintenance, reliable performance and stable and smooth movements. It is widely applicable in pneumatic clamping mechanisms of various kinds of jigs and fixtures and is an ideal pneumatic element in automated production lines like that in the auto industry.



技术参数 Specification

工作介质 Working medium	干燥洁净含油雾压缩空气 Dry and clean compressed air containing oil mist
工作压力 Working pressure	0.05~1MPa
耐压 Pressure bearing	1.5MPa
环境温度 Working tempt	-5~+60°C
活塞运动速度 Tempt ambient piston speed	50~500mm/s

型号注释 Note for type



行程 Stroke

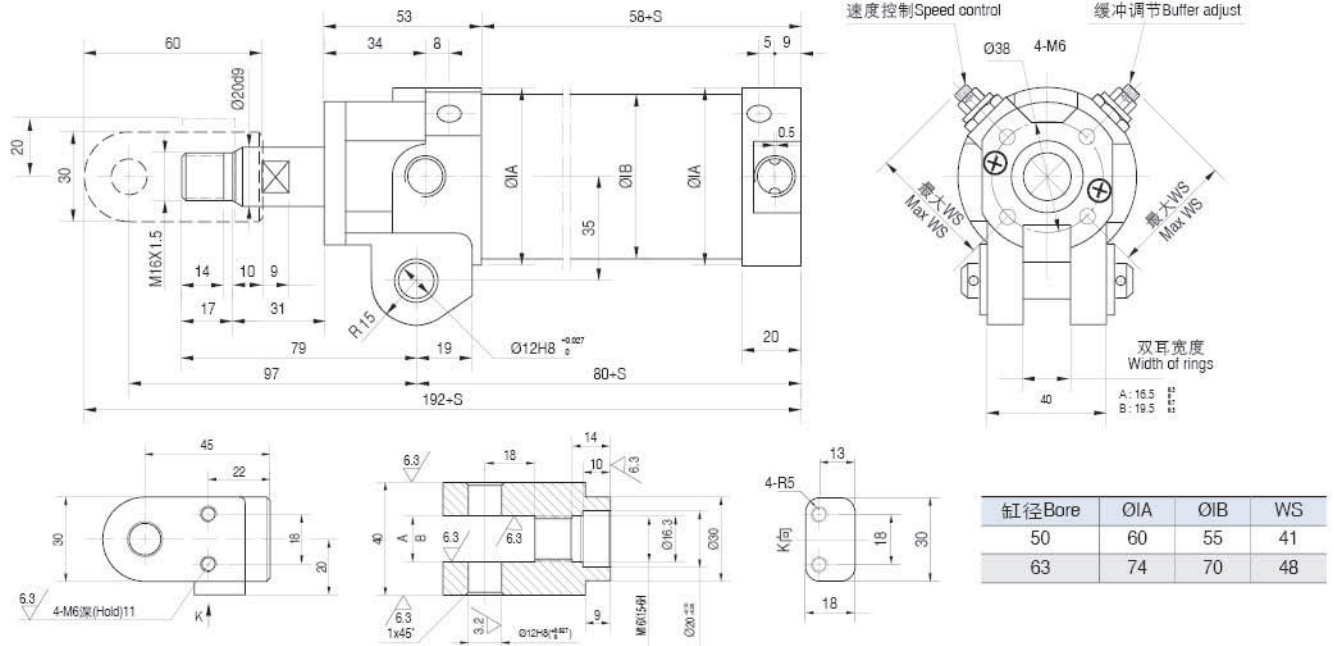
缸径 Bore(mm)	行程 Stroke(mm)
40	50, 75, 100, 125, 150
50	50, 75, 100, 125, 150
63	50, 75, 100, 125, 150

开关型号及参数 Switch type

型号 Type	工作电压 Voltage	最大开关电流 Max current in switch
CK ₃ -V ₁	5V~50V AC/DC	3~15mA
CK ₃ -V ₂	24V~250V AC/DC	300mA

外形尺寸 Outlook & Dimension

QGJC A 50x100YK



QGJS A 50x100YK

