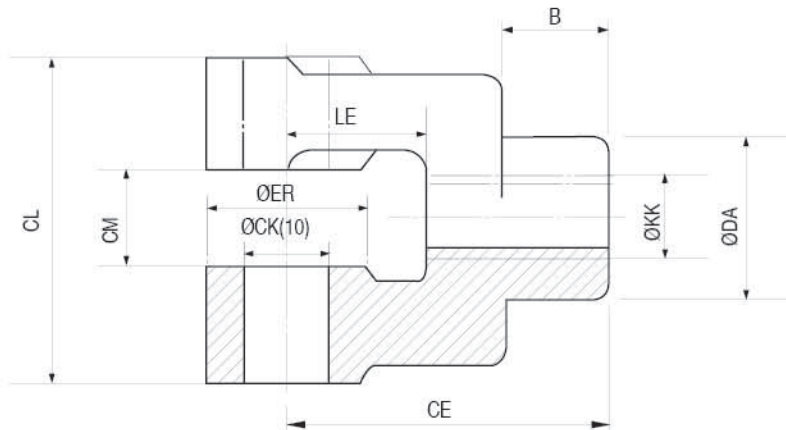


# QGS(G)(H)(S)(F) 附件 Accessory

## 外形尺寸 Outlook & Dimension

### LZ活塞杆用连接件 / LZ piston rod connect part

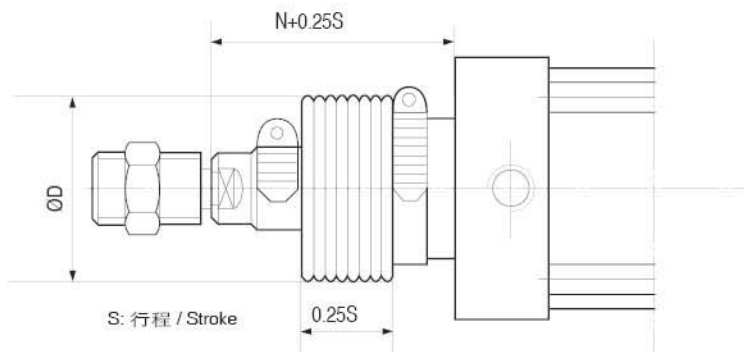


缸径Dia	CE	CK	CL	CM	DA	ER	KK	LE	RA	B
32	38	10	40	12 <sup>+0.3</sup> <sub>-0.1</sub>	20	20	M10x1.25	15	10	13
40	45	12	44	16 <sup>+0.3</sup> <sub>-0.1</sub>	24	24	M12x1.25	20	12	16
50, 63	54	16	44	16 <sup>+0.3</sup> <sub>-0.1</sub>	28	28	M16x1.5	20	14	22
80, 100	70	20	66	30 <sup>+0.4</sup> <sub>-0.1</sub>	36	36	M20x1.5	28	18	28
125	88	25	71	32 <sup>+0.4</sup> <sub>-0.1</sub>	44	44	M27 x 2	32	22	36
160, 200	115	32	80	36 <sup>+0.4</sup> <sub>-0.1</sub>	58	58	M36 x 2	40	29	45
250	130	40	92	42 <sup>+0.4</sup> <sub>-0.1</sub>	64	64	M42 x 2	50	32	48
320	148	50	110	50 <sup>+0.4</sup> <sub>-0.1</sub>	70	70	M48 x 2	63	35	50

### FC活塞杆防尘套 / FC piston rod with dustproof device

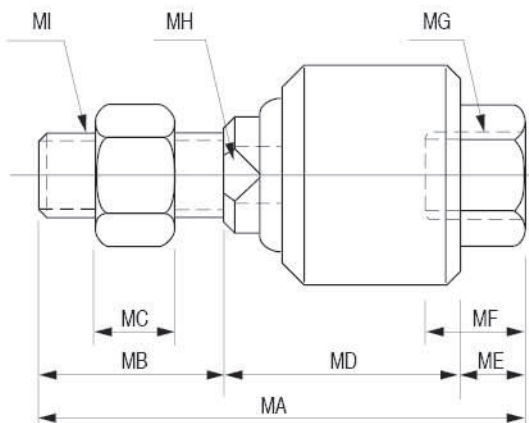
本系列气缸活塞杆，如用户需要可带防尘套，但活塞杆必须按本图尺寸加长，用户订货使用必须注意。

If required, dust proof device can be install on this series piston rod, but the length of piston rod will made as follow, should pay attention.



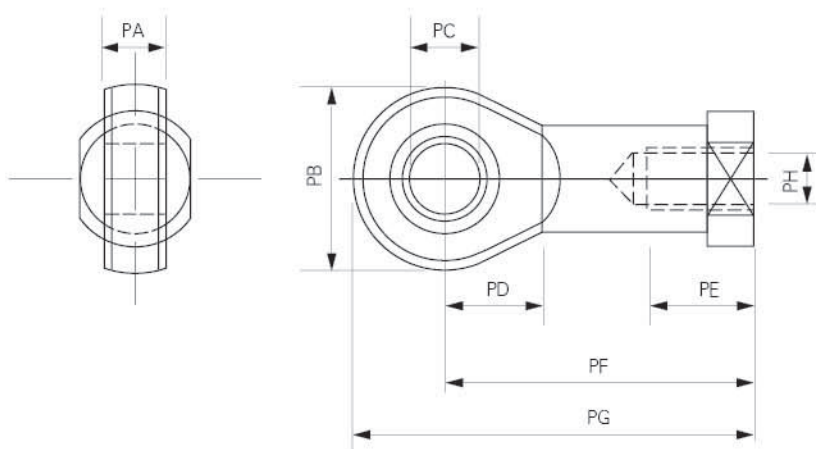
尺寸Size	N	D
缸径Dia		
32	32	35
40	32	40
50	32	50
63	32	50
80	40	60
100	40	60
125	40	70

#### 万向接头 / universal joint



缸径Dia	MA	MB	MC	MD	ME	MF	MG	MH	MI
32	73	20	6	45	8	26	M10x1.25	12	M10x1.25
40	77	24	7	46	7	26	M12x1.25	12	M12x1.25
50, 63	106	32	8	62	12	34	M16x1.5	19	M16x1.5
80, 100	122	40	10	68	14	42	M20x1.5	19	M20x1.5
125	147	54	13.5	77	16	40	M27x2.0	24	M27x2.0
160, 200	251	72	18	161	18	78	M36x2.0	36	M36x2.0

#### 关节轴承 / Knuckle bearing



缸径Dia	PA	PB	PC	PD	PE	PF	PG	PH
32	14	28	10	15	20	43	57	M10x1.25
40	16	32	12	17	22	50	66	M12x1.25
50, 63	21	42	16	22	28	64	85	M16x1.5
80, 100	25	50	20	26	33	77	102	M20x1.5
125	37	70	30	36	51	110	145	M27x2.0
160, 200	43	80	35	41	56	125	165	M36x2.0